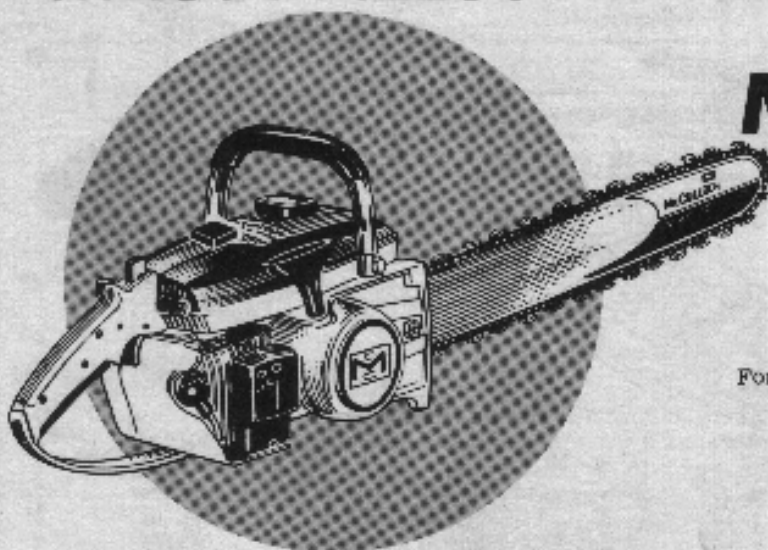


# MASTER ILLUSTRATED PARTS LIST



## MAC 6-10A Chain Saw

For cancelled and superseded parts lists,  
see page 5

**APRIL 1972**

The policy of McCulloch Corporation is one of continual improvement in design, manufacturing and engineering advancement wherever possible to assure still finer two-cycle power tools. Hence, specifications, equipment, colors, design and manufacturer's suggested list prices are subject to change without notice and McCulloch Corporation reserves the right to make such changes without prior notification or obligation to backfit or supply backfit components for units previously shipped from the factory.

### CONTENTS

	Page
Figure 1. General . . . . .	2
Figure 2. Clutch Guard Assembly . . . . .	6
Figure 3. Fuel Tank Assembly . . . . .	6
Figure 4. Carburetor Assembly . . . . .	8
Figure 5. Powerhead Assembly . . . . .	10
Figure 6. Bar & Chain Assemblies . . . . .	12

This Master Illustrated Parts List gives the name, number and interchangeability between engines, of service and replacement parts which were used on or are presently for all MAC 6-10A chain saws manufactured to date.

Information about the List and how to use it will be found on the back cover.  
Read the information before you start to use the List.

 **McCULLOCH**

# MAC 6-10A Chain Saw

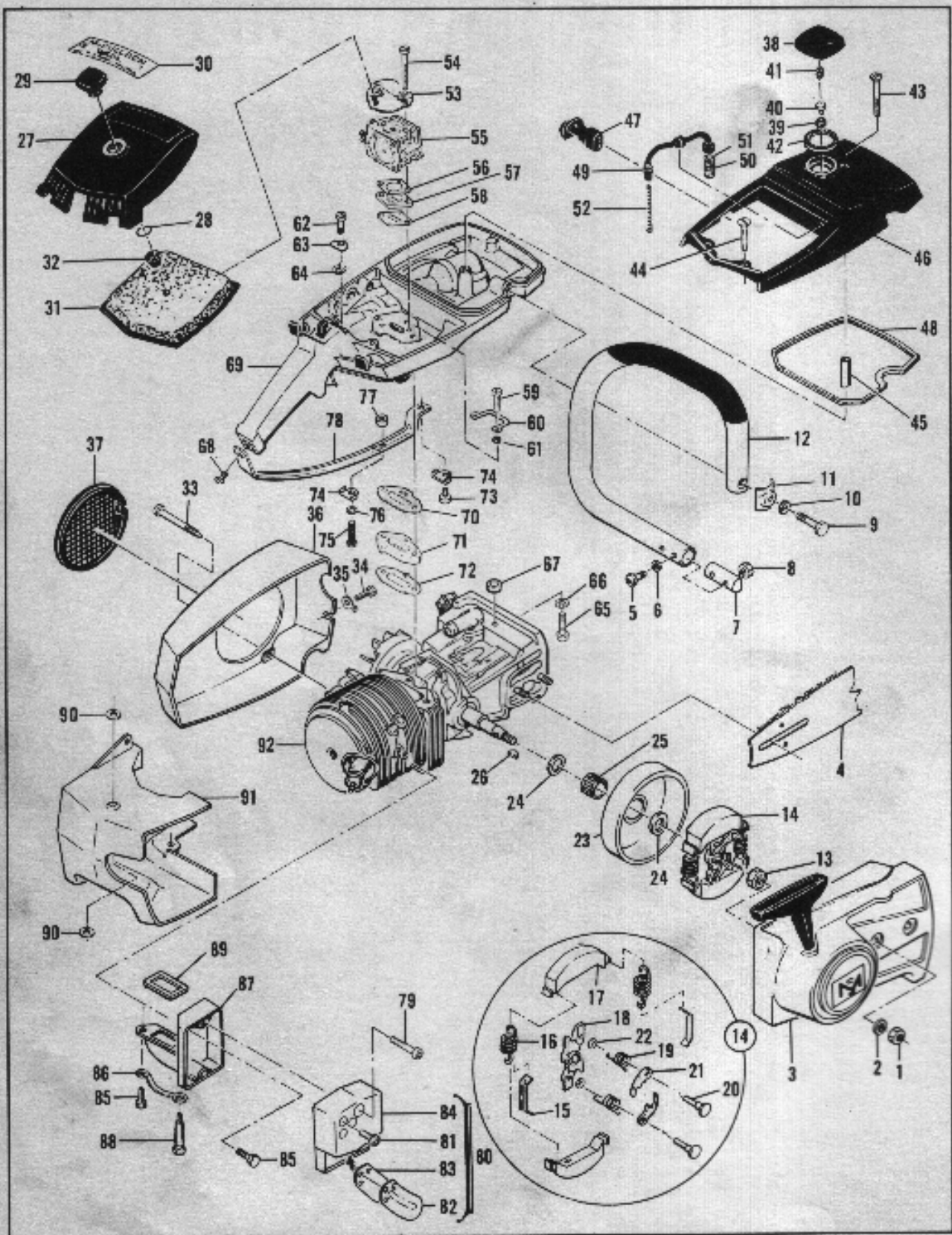


Figure 1. General



# MAC 6-10A Chain Saw

## FIGURE 1. GENERAL

Item No.	Part Number	Description	Units Per Assy	Usable On Code			
MAC 6-10, 6-10A, Super 6-10A, Usable On Code							
	<b>Model</b>	<b>6-10</b>	<b>6-10A</b>	<b>Super 6-10A</b>	<b>Super 6-10A</b>	<b>Super 6-10A</b>	<b>Super 6-10A</b>
	<b>Letter</b>	<b>A</b>	<b>B</b>	<b>C</b>	<b>D</b>	<b>E</b>	<b>F</b>
	<b>Serial Numbers</b>	<b>Prefix 10-</b>	<b>Prefix 12-, A12-</b>	<b>Prefix 14-, B13-, A13-</b>	<b>Prefix 15-, A14-</b>	<b>Prefix 17-, A15- 10001 to 12501</b>	<b>Prefix 17-, A15- 12502 &amp; up</b>
1	110454	Nut - Hex 5/16-24	2	All			
2	100440	Washer - 5/16	2	All			
3		Clutch Guard & Starter Assy (See Figure 2)		All			
4		Bar & Chain (See Figure 6)		All			
5	102761	Screw - Hex hd 10-24 x 7/8	2	All			
6	100352	Washer - #10	2	All			
7	61678	Plug - Nut retainer	1	All			
8	101326	Nut - Hex 10-24	2	All			
9	102130	Screw - Hex 1/4-20 x 1-1/2	1	All			
10	100153	Lockwasher - 1/4	1	All			
11	63484	Clamp - Frame	1	All			
12	85770	Frame & Grip Assy	1	All			
13	103746	Nut - Hex 3/8-24	1	A, B			
	110594	Nut - Hex 3/8-24	1	C, D, E, F			
14	67148	Clutch Assy	1	A, B, C			
	83856	Clutch Assy	1	D, E, F			
15	64583	Retainer	2	All			
16	66384	Spring - Clutch	2	All			
17	67233	Shoe - Clutch	2	All			
18	67149	Rotor Assy	1	A, B, C			
	83671	Rotor Assy	1	D, E, F			
19	68837	Spring	2	A, B, C			
	83654	Spring	2	D, E, F			
20	67112	Rivet	2	A, B, C			
	83653	Rivet	2	D, E, F			
21	64857	Pawl	2	A, B, C			
	24093	Pawl	2	D, E, F			
22	65473	Washer - Special	2	All			
23	65370	Kit - Sprocket & Drum	1	All			
24	61692	Shim	2	All			
25	110330	Bearing	1	All			
26	103879	Key - Woodruff	1	All			
27	68530	Cover Assy - Air cleaner	1	All			
28	110565	Ring - Retainer	1	All			
29	68529	Knob - Cover	1	All			
30	68708	Nameplate	1	A			
	68699	Nameplate	1	B			
	85525	Nameplate	1	C, D, E, F			
31	69922	Filter Assy - Air	1	C, D, E, F			
	83230	Filter Assy - Air	1	A, B			
32	68528	Grommet	1	A, B			
33	62978	Screw - Special	3	All			
34	102762	Screw - Hex hd 10-24 x 1/2	1	All			
35	69890	Lockplate	1	All			
36	83521	Kit - Fan Housing	1	All			
37	55615	Guard - Flywheel	1	All			
38	86401	Cap Assy - Fuel	1	All			
39	68533	Plug	1	All			
40	86402	Valve	1	All			
41	63040	Spring	1	All			
42	69767	Gasket	1	All			
43	110402	Screw - Oval hd 12-24 x 2-3/8	1	All			

# MAC 6-10A Chain Saw

## FIGURE 1. GENERAL (CONTINUED)

Item No.	Part Number	Description	Units Per Assy	Usable On Code
44	103579	Screw - Fil hd 10-24 x 1	2	All
45	69686	Spacer	1	All
46	69679	Cover - Fuel tank	1	A, B, C, D
	84252	Cover - Fuel tank	1	F, F
47	84253	Boot - Carburetor adj.	1	E, F
48	69345	Gasket - Cover	1	All
49	64848	Hose Assy - Fuel	1	All
50	63932	Filter - Fuel	1	All
51	100440	Washer	1	All
52	67944	Spring - Hose	1	All
53	83204	Bracket Assy	1	All
54	103357	Screw - Hex hd 10-24 x 2-1/4	2	All
55		Carburetor Assy (See Figure 4)		All
56	68132	Gasket - Carburetor	1	A, B, C, D
	83059	Gasket - Carburetor	1	E, F
57	64076	Spacer - Carburetor	1	All
58	84081	Gasket - Spacer	1	All
59	110567	Screw - Hex hd 12-24 x 1-1/4	2	All
60	68582	Lockplate	1	All
61	102115	Washer	2	All
62	110566	Screw - Hex hd 12-24 x 1-1/8	1	All
63	68516	Lockplate	1	All
64	64856	Washer - Special	1	All
65	102660	Screw - Skt hd 10-24 x 7/8	1	All
66	100003	Washer - #10	1	All
67	68219	Spacer	1	A, B
	69772	Spacer	1	C, D, E, F
68	106078	Screw - Oval hd 10-24 x 7/16	1	All
69		Fuel Tank Assy (See Figure 3)		All
70	84082	Gasket - Fuel tank	1	All
71	68579	Insulator - Fuel tank	1	A, B, C, D
	84080	Insulator - Fuel tank	1	E, F
72	68594	Gasket - Insulator	1	All
73	110568	Screw - Hex hd 12-24 x 5/8	1	All
74	68508	Lockplate	2	All
75	102761	Screw - Hex hd 10-24 x 7/8	1	All
76	110264	Washer - #10	1	All
77	69830	Spacer - Handle brace	1	All
78	85007	Brace - Handle	1	All
79	110473	Screw - Skt hd 10-24 x 1-5/8	2	A, B, C, D
	104560	Screw - Skt hd 10-24 x 1-1/2	2	E, F
80	65532	Cover and Valve Assy	1	All
81	110472	Screw - Skt hd 8-32 x 5/16	3	All
82	84780	Stop - Reed valve	1	All
83	84779	Valve - Reed	1	All
84	65419	Cover Assy - Spark arrester	1	All
85	110529	Screw - Hex hd 10-24 x 1/2	2	All
86	67922	Lockplate	1	All
87	83108	Body and Dndl Assy	1	All
88	68187	Screw - Special	1	All
89	68149	Gasket - Muffler	1	A, B, C, D
	84007	Gasket - Muffler	1	E, F
90	68581	Insulator - Shroud	2	All
91	67910	Shroud	1	All
92		Powerhead Assy (See Figure 5)		All



# MAC 6-10A Chain Saw

Master Illustrated Parts List, P/N 86346 supersedes and cancels all previous lists issued for the MAC 6-10, 6-10A and Super 6-10A saws. Discard the following lists:

- IPL 68710 covering MAC 6-10 saws with serial numbers prefixed 10-.
- IPL 68598 covering MAC 6-10A saws with serial numbers prefixed 12- and A12-.
- IPL 69941 covering Super 6-10A saws with serial numbers prefixed 14-, B13-, A13-.
- IPL 83685 covering Super 6-10A saws with serial numbers prefixed 15-, A14-.
- IPL 84380 covering Super 6-10A saws with serial numbers prefixed 17-, A15-.

## SERVICE SPECIFICATIONS

Spark Plug Gap	0.025 in.
Lamination Gap	0.010 to 0.015 in.
Breaker Point Gap	0.018 in.
Carburetor Adjustment	
Idle Needle	- Preliminary adjustment 1 turn open. Adjust for smooth idle and acceleration.
Main Needle	- Preliminary adjustment 1 turn open. Adjust for maximum power under load.
Torque Values	
Flywheel Nut	240 to 300 inch-pounds
Clutch Nut	160 to 170 inch-pounds
Connecting Rod Screws	65 to 70 inch-pounds

# MAC 6-10A Chain Saw

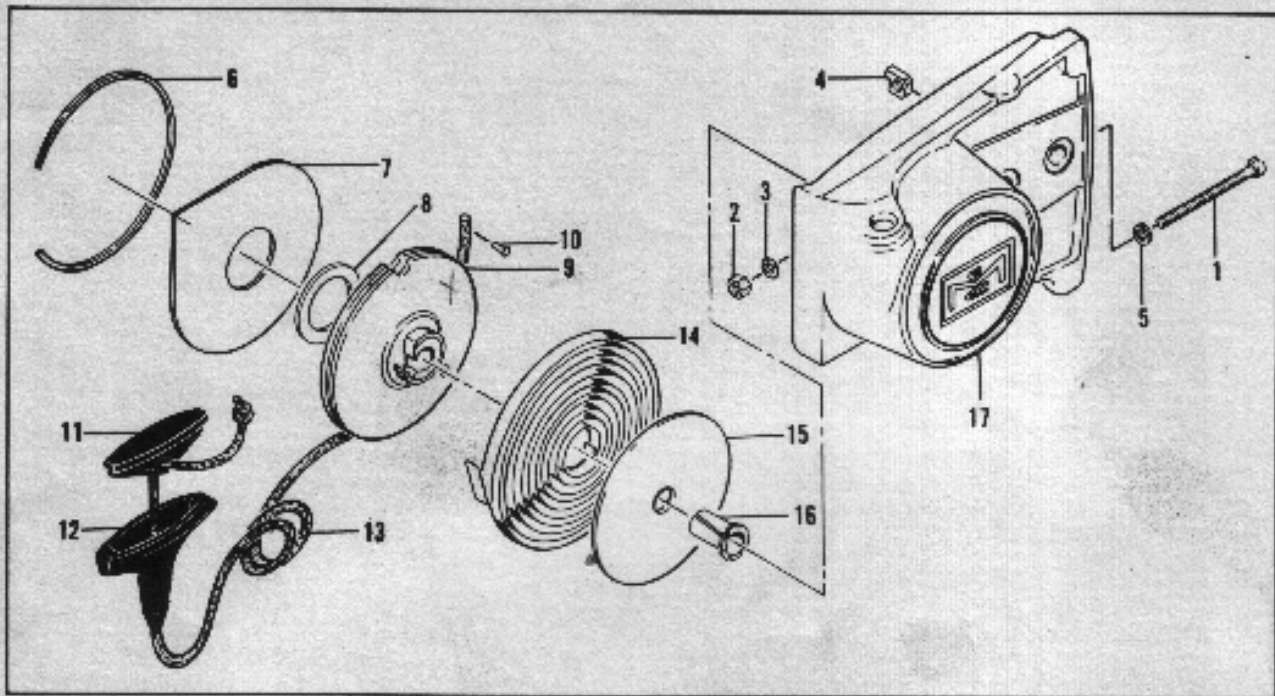


Figure 2. Clutch Guard Assembly

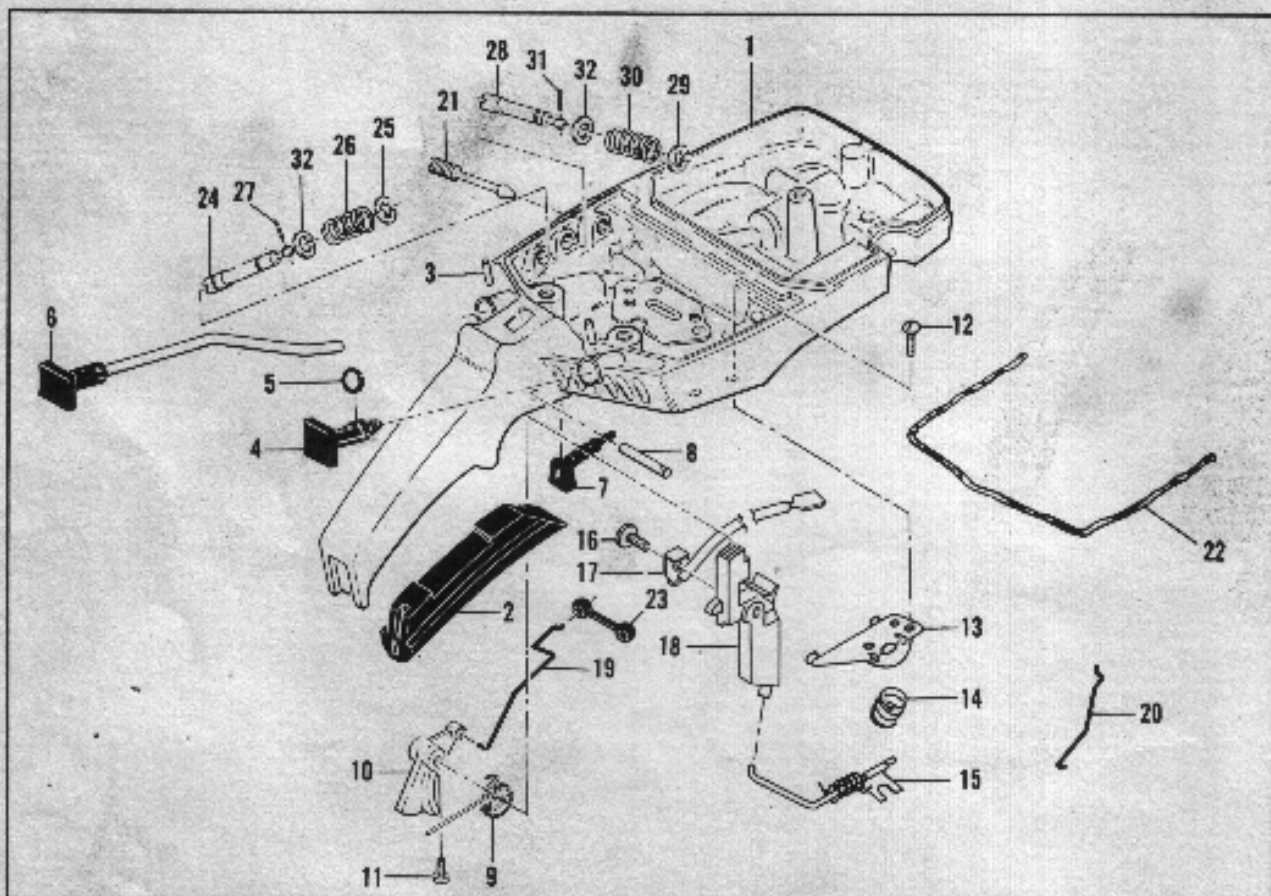


Figure 3. Fuel Tank Assembly



# MAC 6-10A Chain Saw

## FIGURE 2. CLUTCH GUARD ASSEMBLY

Item No.	Part Number	Description	Units Per Assy	Usable On Code					
MAC 6-10, 6-10A, Super 6-10A, Usable On Code									
	Model	6-10	6-10A	Super 6-10A	Super 6-10A	Super 6-10A	Super 6-10A		
	Letter	A	B	C	D	E	F		
	Serial Numbers	Prefix 10-	Prefix 12-, A12-	Prefix 14-, B13-, A13-	Prefix 15-, A14-	Prefix 17-, A15- 10001 to 12501	Prefix 17-, A15- 12502 & up		
1	83850	Clutch Guard Assy						1	All
1	102144	Screw - Bar adjusting						1	All
2	102067	Nut - Hex 10-24						1	All
3	110387	Washer - Wavey						1	All
4	61705	Nut - Bar adjusting						1	All
5	110264	Washer - #10						1	All
6	67205	Retainer - Shield						1	All
7	63985	Shield - Dust						1	All
8	63986	Washer - Thrust						1	All
9	85124	Drum - Starter						1	All
10	110470	Rivet - Rope						1	All
11	62191A	Insert - Handle						1	All
12	62190A	Handle - Starter						1	All
13	69964	Rope - Starter						1	All
14	68626	Spring - Rewind						1	All
15	63987	Shield - Spring						1	All
16	61635A	Bushing - Nyliner						1	All
17	83569	Guard - Clutch						1	All

## FIGURE 3. FUEL TANK ASSEMBLY

Item No.	Part Number	Description	Units Per Assy	Usable On Code					
MAC 6-10, 6-10A, Super 6-10A, Usable On Code									
	Model	6-10	6-10A	Super 6-10A	Super 6-10A	Super 6-10A	Super 6-10A		
	Letter	A	B	C	D	E	F		
	Serial Numbers	Prefix 10-	Prefix 12-, A12-	Prefix 14-, B13-, A13-	Prefix 15-, A14-	Prefix 17-, A15- 10001 to 12501	Prefix 17-, A15- 12502 & up		
1	84183	Fuel Tank Assy						1	All
2	64872	Grip - Handle						1	All
3	105873	Pin - Roll 3/32 x 9/16						2	All
4	68517	Button - Choke						1	A, B
	69041	Button - Choke						1	C, D, E, F
5	101056	"O" Ring						1	All
6	64871	Button & Rod Assy						1	All
7	68522	Seal - Throttle rod						1	All
8	110378	Pin - Roll 3/16 x 15/16						1	All
9	87178	Spring - Throttle return						1	All
10	85978	Trigger						1	All
11	110537	Screw - Fil hd 8-36 x 1/2						1	All
12	105249	Screw - Rd hd 6-32 x 3/8 (SEMS)						2	All
13	64721	Bracket - Lever Assy						1	All
14	69687	Spring - Valve						1	All
15	69611	Lever Assy - Compression release						1	All
16	110385	Screw - Pan hd 8-32 x 3/8						1	All

This list is continued on page 8.

# MAC 6-10A Chain Saw

## FIGURE 3. FUEL TANK ASSEMBLY (CONTINUED)

Item No.	Part Number	Description	Units Per Assy	Usable On Code
17	65873	Wire Assy - Stop switch	1	All
18	67209	Button - Control	1	All
19	85107	Rod - Throttle	1	All
20	67355	Rod - Choke	1	A, B
	69042	Rod - Choke	1	C, D, E, F
21	67271	Screw - Idle adjustment	1	All
22	*69564	Seal - Airbox	AR	All
23	69043	Snubber - Rod	1	C, D, E, F
24	68102	Extension Assy - High speed needle	1	A, B, C, D
25	110512	Ring - Retaining	1	A, B, C, D
26	67383	Spring	1	A, B, C, D
27	110509	Pin - Groove	1	A, B, C, D
28	68101	Extension Assy - Idle needle	1	A, B, C, D
29	110512	Ring - Retaining	1	A, B, C, D
30	67383	Spring	1	A, B, C, D
31	110509	Pin Groove	1	A, B, C, D
32	67292	Washer - Special	2	A, B, C, D

\*Furnished on a 12-1/2 inch strip containing 9 beads of sealant (enough for 9 replacements).

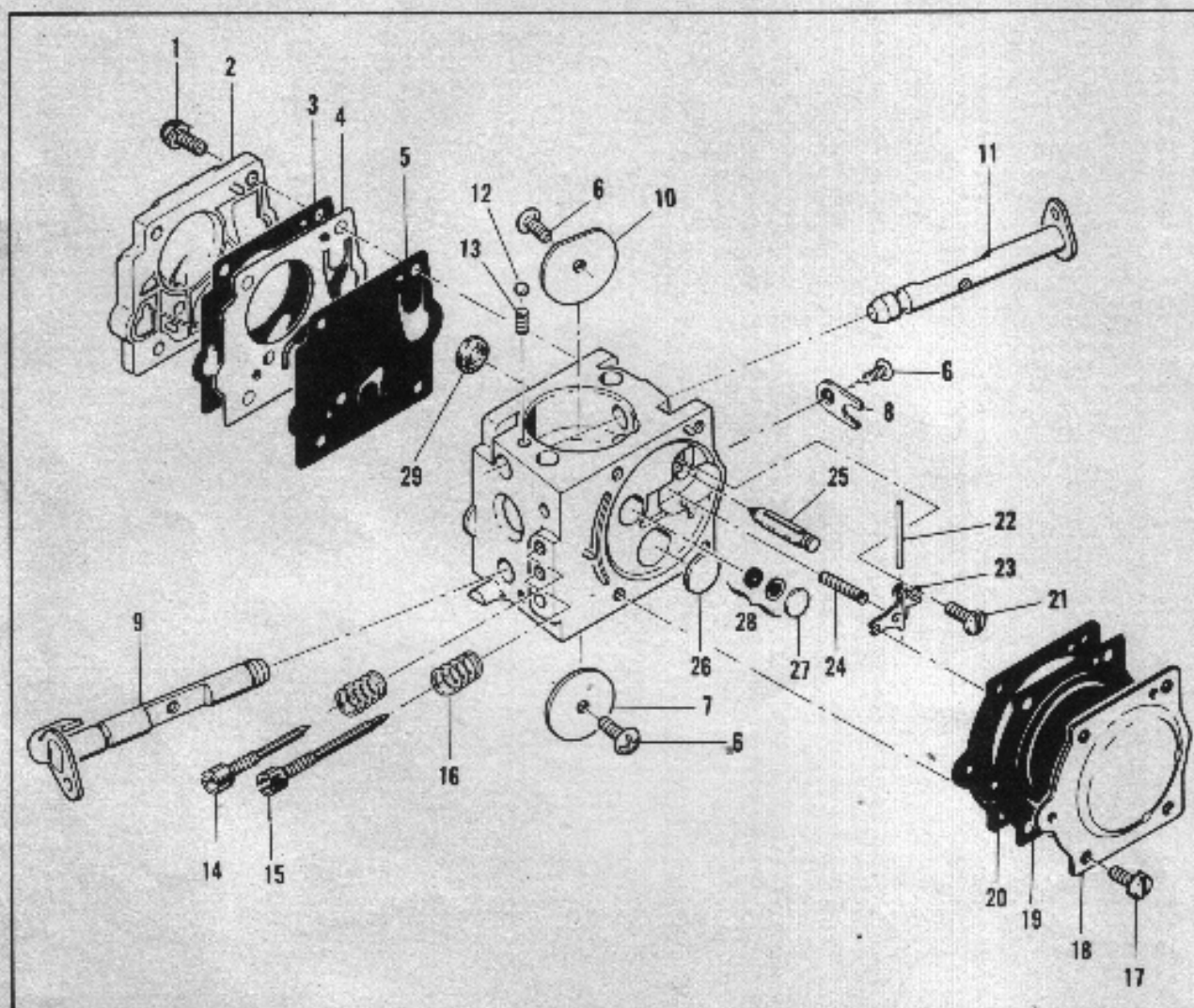


Figure 4. Carburetor Assembly



# MAC 6-10A Chain Saw

## FIGURE 4. CARBURETOR ASSEMBLY

Item No.	Part Number	Description	Units Per Assy	Usable On Code			
MAC 6-10, 6-10A, Super 6-10A, Usable On Code							
	Model	6-10	6-10A	Super 6-10A	Super 6-10A	Super 6-10A	Super 6-10A
	Letter	A	B	C	D	E	F
	Serial Numbers	Prefix 10-	Prefix 12-, A12-	Prefix 14-, B13-, A13-	Prefix 15-, A14-	Prefix 17-, A15- 10001 to 12501	Prefix 17-, A15- 12502 & up
1	34015	Carburetor Assy .....					
2	67501	Screw - Pump cover .....					
3	83760	Cover - Pump .....					
4	*67495	Gasket - Cover .....					
5	*67498	Diaphragm - Check valve .....					
6	*83114	Diaphragm - Fuel pump .....					
7	*47890	Screw - Plate .....					
8	83762	Plate - Throttle .....					
9	67489	Clip - Shaft .....					
10	67486	Shaft Assy - Throttle .....					
11	67490	Plate - Choke .....					
12	67488	Shaft Assy - Choke .....					
13	*100302	Ball - Choke friction .....					
14	*67504	Spring - Choke .....					
15	*67506	Needle - High speed .....					
16	*67505	Needle - Idle .....					
17	*67502	Spring - Needle .....					
18	70798	Screw - Diaphragm cover .....					
19	83761	Cover - Diaphragm .....					
20	*87499	Diaphragm - Metering .....					
21	*67496	Gasket - Diaphragm .....					
22	*67500	Screw - Lever pin .....					
23	*67508	Pin - Lever .....					
24	*67509	Lever - Metering .....					
25	*67503	Spring - Lever .....					
26	*67491	Valve - Needle .....					
27	*71690	Plug - 3/8 .....					
28	*88508	Plug - 5/16 .....					
29	83758	Kit - Valve & Seat Assy .....					
30	*67507	Screen - Fuel .....					
	*67482	Gasket Set					
	67481	Repair Kit					

\*Indicates parts included in Repair Kit, P/N 67481

# MAC 6-10A Chain Saw

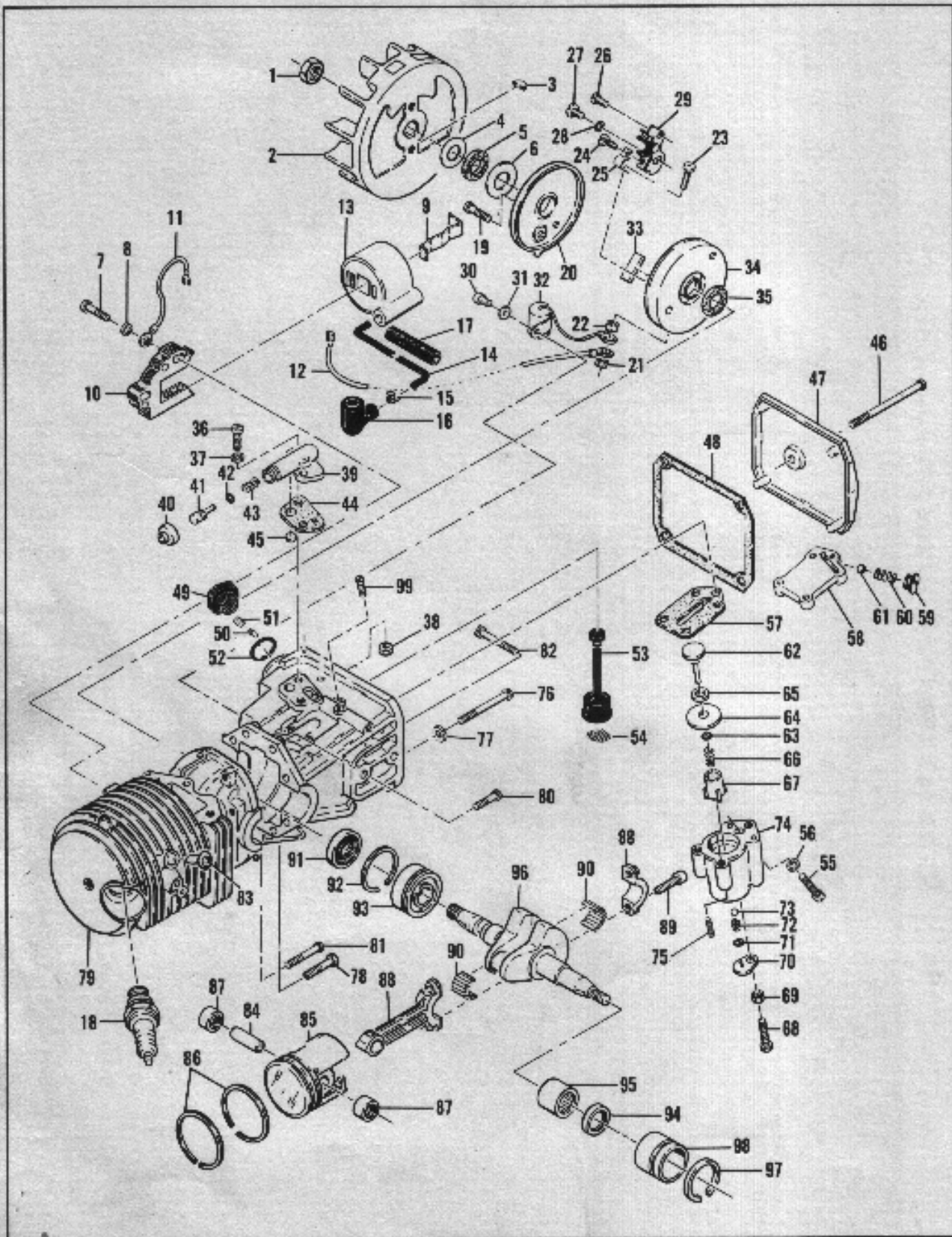


Figure 5. Powerhead Assembly



# MAC 6-10A Chain Saw

## FIGURE 5. POWERHEAD ASSEMBLY

Item No.	Part Number	Description	Units Per Assy	Usable On Code			
MAC 6-10, 6-10A, Super 6-10A, Usable On Code							
	<b>Model</b>	<b>6-10</b>	<b>6-10A</b>	<b>Super 6-10A</b>	<b>Super 6-10A</b>	<b>Super 6-10A</b>	<b>Super 6-10A</b>
	<b>Letter</b>	<b>A</b>	<b>B</b>	<b>C</b>	<b>D</b>	<b>E</b>	<b>F</b>
	<b>Serial Numbers</b>	<b>Prefix 10-</b>	<b>Prefix 12-, A12-</b>	<b>Prefix 14-, B13-, A13-</b>	<b>Prefix 15-, A14-</b>	<b>Prefix 17-, A15- 10001 to 12501</b>	<b>Prefix 17-, A15- 12502 &amp; up</b>
1	101391	Nut - Hex 3/8-24	1	A, B			
	110594	Nut - Hex 3/8-24	1	C, D, E, F			
2	84681	Flywheel Assy	1	All			
3	103879	Key - Woodruff	1	All			
4	67057	Washer - Thrust	1	All			
5	67056	Seal	1	All			
6	67054	Washer - Thrust	1	All			
7	110127	Screw - Hex hd 10-24 x 7/8 (SEMS)	2	All			
8	100003	Washer - #10	2	All			
9	51253	Retainer - Coil	1	All			
10	85136	Lamination Assy	1	All			
11	62819	Wire Assy - Ground	1	All			
12	69344	Wire Assy - Primary	1	All			
13	84972	Kit - Coil	1	All			
14	69966	Wire Assy - Spark plug	1	All			
15	62932	Connector	1	All			
16	62926	Boot	1	All			
17	67127	Sleeve	1	All			
18	63432	Spark Plug	1	All			
19	110349	Screw - Rd hd 8-32 x 3/4	1	All			
20	62362	Cover - Breaker box	1	All			
21	100298	Nut - Hex 6-32	1	All			
22	62365	Spacer - Breaker screw	1	All			
23	110346	Screw - Hex hd 6-32 x 3/4	1	All			
24	110489	Screw - Pan hd 6-32 x 7/16 s/t	1	C, D, E, F			
25	83126	Strap - Conduction	1	C, D, E, F			
26	100934	Screw - Rd hd 8-32 x 3/8	1	All			
27	110445	Screw - Truss 8-32 x 3/8	1	All			
28	105976	Washer - #8	1	All			
29	62363	Breaker Assy	1	A, B			
	66231	Breaker Assy	1	C, D, E, F			
30	103672	Screw - Fil hd 8-32 x 1/2 (SEMS)	1	All			
31	100080	Washer - #8	1	All			
32	85358	Condenser	1	A, B, C			
	67960	Condenser	1	D, E, F			
33	54184	Wiper	1	All			
34	62361	Box - Breaker	1	A, B			
	84329	Box - Breaker	1	C, D, E, F			
35	67051	Seal	1	All			
36	110628	Screw - Fil hd 8-32 x 1/2	2	All			
37	105976	Washer - #8	2	All			
38	100955	Nut - Hex 8-32	1	All			
39	84156	Housing - Pump	1	All			
40	62262	Cap - Housing	1	All			
41	62266	Plunger - Pump	1	All			
42	101056	"O" Ring	1	All			
43	66687	Spring	1	All			
44	62230	Gasket	1	All			
45	62909	Valve	1	All			
46	110291	Screw - Pan hd 10-24 x 2-5/8	1	All			
47	88304	Cover - Oil tank	1	All			
48	86306	Gasket - Cover	1	A, B			

This list continued on page 13

**MODEL 250**  
Serial No. 76001 & Up

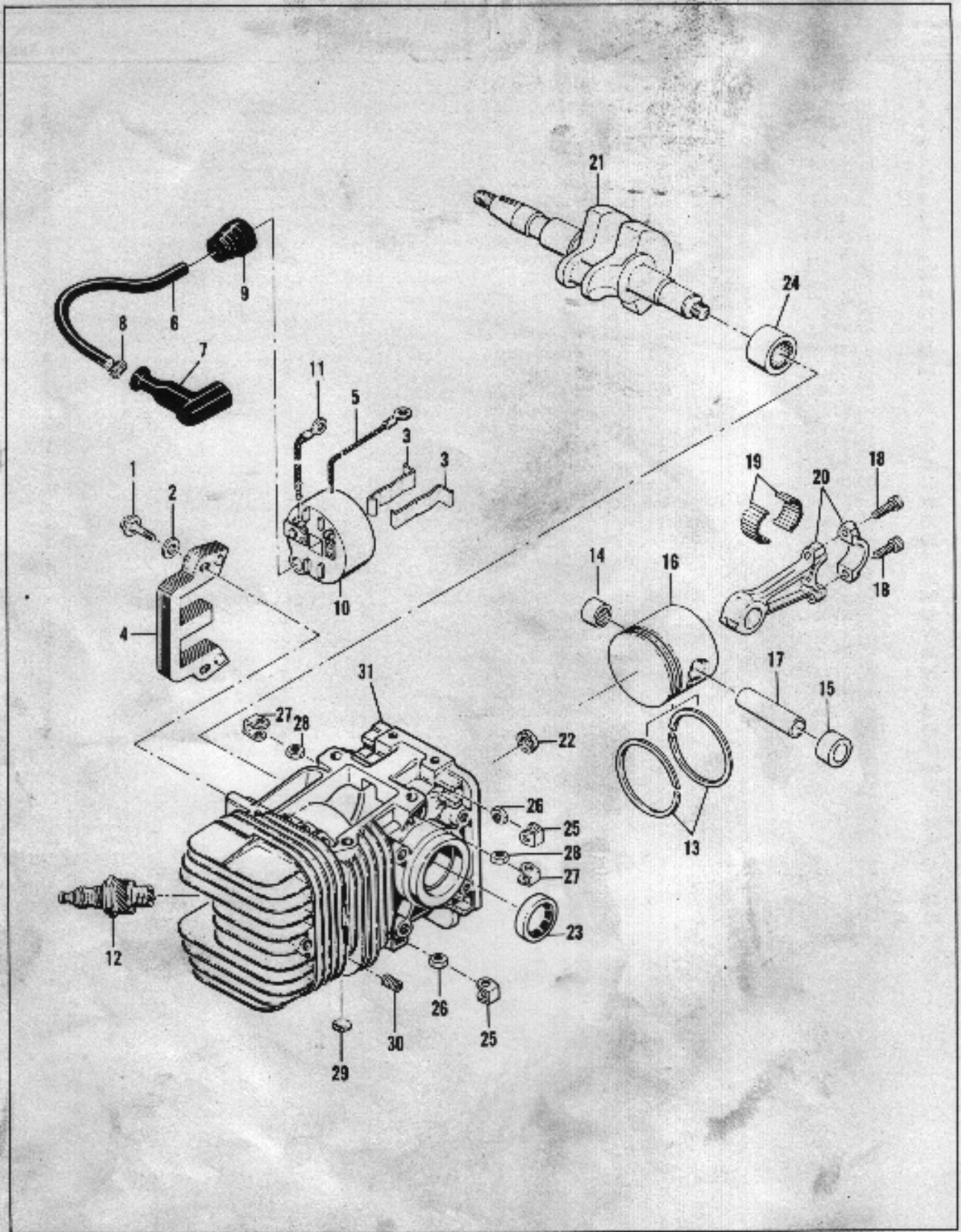


Figure 6. Powerhead



# MAC 6-10A Chain Saw

## FIGURE 6. BAR & CHAIN ASSEMBLIES

Item No.	Part Number	Description	Units Per Assy	Usable On Code					
MAC 6-10, 6-10A, Super 6-10A, Usable On Code									
	Model	6-10	6-10A	Super 6-10A	Super 6-10A	Super 6-10A	Super 6-10A		
	Letter	A	B	C	D	E	F		
	Serial Numbers	Prefix 10-	Prefix 12-, A12-	Prefix 14-, B13-, A13-	Prefix 15-, A14-	Prefix 17-, A15- 10001 to 12501	Prefix 17-, A15- 12502 & up		
1	63541	Bar						1	All
2	62550M	Chain Assy						1	All
	64330	Set - Bar Plate						1	All
3	64325	Plate - Bar						2	All

## FIGURE 5. POWERHEAD ASSEMBLY (CONTINUED)

Item No.	Part Number	Description	Units Per Assy	Usable On Code
49	57129A	Cap - Oil tank	1	A, B
	68809	Cap - Oil tank	1	C, D, E, F
50	110737	Clip - Plug	1	C, D, E, F
51	84953	Plug - Cap	1	C, D, E, F
52	101146	"O" Ring	1	All
53	62123B	Hose Assy - Oil	1	All
54	51506	Screen - Hose	1	All
55	110713	Screw - Skt hd 10-24 x 7/8	1	F
56	24238	Washer - Special	1	F
57	62274	Gasket - Pulse pump	1	A
	86188	Gasket - Pulse pump	1	B, C, D, E, F
58	68711	Body Assy - Check valve	1	A
59	68714	Screw - Special	1	A
60	63034	Spring - Valve	1	A
61	100071	Ball - Check valve	1	A
	83786	Pump Assy - Pulse	1	B, C, D, E, F
62	60260A	Piston Assy - Pump	1	B, C, D, E, F
63	104001	"O" Ring	1	B, C, D, E, F
64	60263	Ring - Piston	1	B, C, D, E, F
65	60937	Washer - Teflon	1	B, C, D, E, F
66	60259	Spring - Piston	1	B, C, D, E, F
67	62227	Sleeve - Adjustment	1	B, C, D, E, F
68	110386	Screw - Hex hd 8-32 x 1	1	B, C, D, E, F
69	100251	Nut - Hex 8-32	1	B, C, D, E, F
70	62407	Cover - Outlet valve	1	B, C, D, E, F
71	106104	"O" Ring	1	B, C, D, E, F
72	62885A	Spring - Outlet valve	1	B, C, D, E, F
73	102809	Ball	1	B, C, D, E, F
74	83787	Body Assy - Pump	1	B, C, D, E, F
75	110843	Screw - Set	1	F
76	62105	Screw Assy - Sealing	4	All
77	62842	Washer - Sealing	4	All
78	110288	Screw Assy - Hex hd 8-32 x 3/4	1	All
79	*85771	Crankcase Assy	1	All
80	110288	Screw Assy - Hex hd 8-32 x 3/4	2	All
81	110610	Screw Assy - Hex hd 8-32 x 1-3/8	1	All
82	62065	Bolt - Bar mounting	2	All

# MAC 6-10A Chain Saw

## FIGURE 5. POWERHEAD ASSEMBLY (CONTINUED)

Item No.	Part Number	Description	Units Per Assy	Usable On Code
83	83137	. Valve - D. S. P. ....	1	A, B, C, D, E
	84221	. Valve - D. S. P. ....	1	F
84	65389	Pin - Piston .....	1	A, B
	69020	Pin - Piston .....	1	C, D, E, F
85	85240	Piston Assy .....	1	A, B
	85239	Piston Assy .....	1	C, D, E, F
86	85241	. Ring Set - Piston .....	1	All
87	103085	. Bearing - Needle .....	2	A, B
	110590	. Bearing - Needle .....	2	C, D, E, F
88	65401	Connecting Rod Assy .....	1	A, B
	85352	Connecting Rod Assy .....	1	C, D, E, F
89	61627A	. Screw - Skt hd special .....	2	All
90	63225	. Roller - Needle (set of 20) .....	1	All
91	61618	Seal - Oil .....	1	All
92	63464	Ring - Snap .....	1	All
93	63429B	Bearing - Ball .....	1	All
94	110280	Seal - Oil .....	1	All
95	104357	Bearing - Needle .....	1	All
96	85125	Crankshaft .....	1	All
97	63699	Ring - Bearing insert .....	1	All
98	63701	Insert - Bearing .....	1	All
99	110333	Screw - Oval hd 8-32 x 1/2 .....	3	A, B, C, D, E

\*For MAC 6-10 engines not equipped with a DSP valve, order Crankcase Kit, P/N 84695.

## ACCESSORIES

Part Number	Description
85726	Manual - Owner's
62827	Wrench - Screwdriver
63746	Scrench
63341A	Kit - Spike
84922	Baffle - Spark arrester screen
69056	Kit - Wrap-around frame
65712	Guide - Timing
63097	Spark Plug AC CS 45T
65778	Spark Plug AC CS 41T
69191	Kit - Pressure adaptor
62379B	Baffle - Muffler